

## 爱泽工业 12 月部分到货产品专题及库存

### ——洛森 ROSENBERG 风机 DRAD 系列

如下为我司爱泽工业 IZE\_Industries 本月部分到货 ROSENBERG 洛森风机，欢迎来电索取样本资料 and 产品信息。



ROSENBERG DRAD279-4S 爱泽工业 ize-industries

ROSENBERG Centrifugal fans : forward curved (Type: E/DRA...)

ROSENBERG 洛森离心风机 ERA/DRA 系列

Properties 产品属性:

flow rates up to 15,000 m<sup>3</sup>/h 流量高达 15000 立方米/小时

size: 180 - 400 mm (impeller diameter) 180 - 400 毫米 (叶轮直径)

casing made of galvanised sheet steel 外壳由镀锌钢板制成

asynchronous external rotor motor 异步外转子电机

forward curved impellers 前弯叶轮

feet can be offset by 90° 底脚可以偏移 90°

protection class IP54 防护等级 IP54

thermal class F 热敏等级 F

connection cable on side 连接电缆位于侧部

motor protection by thermal contacts 有热敏保护

speed is variable using auto transformers 可变速

Casings are made of galvanised sheet steel. Side parts and the spiral-shaped guide plate are connected with rivets. In the side panels, there are holes for the fixing of the feet, which can be implemented by 90° .

model - ERA : single inlet design (E)

model - DRA : double-sided inlet design (D)

外壳由镀锌钢板制成。侧面部件和螺旋形导向板用铆钉连接。在侧面板上，有用于固定脚的孔，可以实现 90° 旋转。

型号-ERA: 单入设计 (E)

型号-DRA: 双入设计 (D)

The impeller is made of galvanised sheet steel and is mounted directly to the rotor of the external rotor motor and balanced dynamically at two levels together with the rotor according to quality level G2.5 to DIN ISO 1940.

叶轮由镀锌钢板制成，并直接安装在外转子电机的转子上，实现动平衡。根据 DIN ISO 1940 的质量等级 G2.5 DIN ISO 1940.

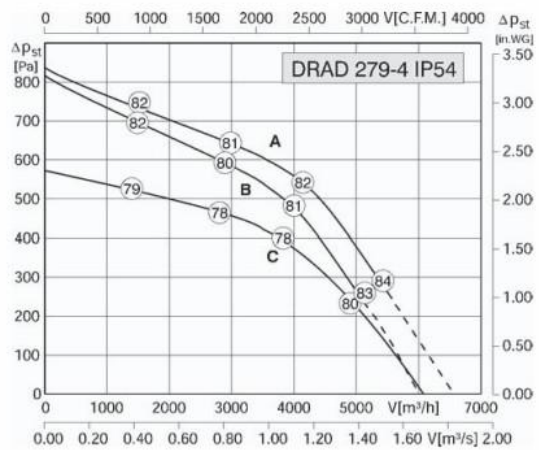
The drive motors are fitted with an outgoing cable. The electrical connection is made via an IP44 terminal box which is supplied loose.

驱动电机装有输出电缆。电气连接通过 IP44 接线盒进行。

### ROSENBERG DRAD279-4S 产品参数描述

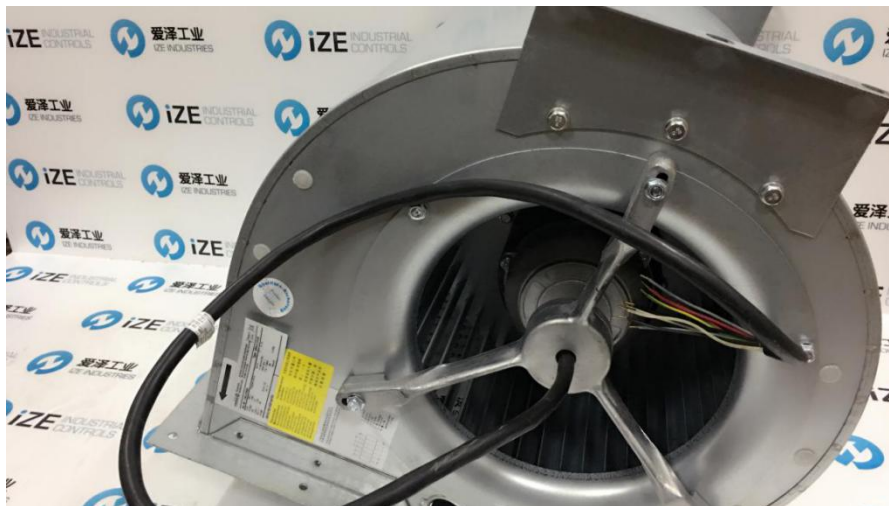
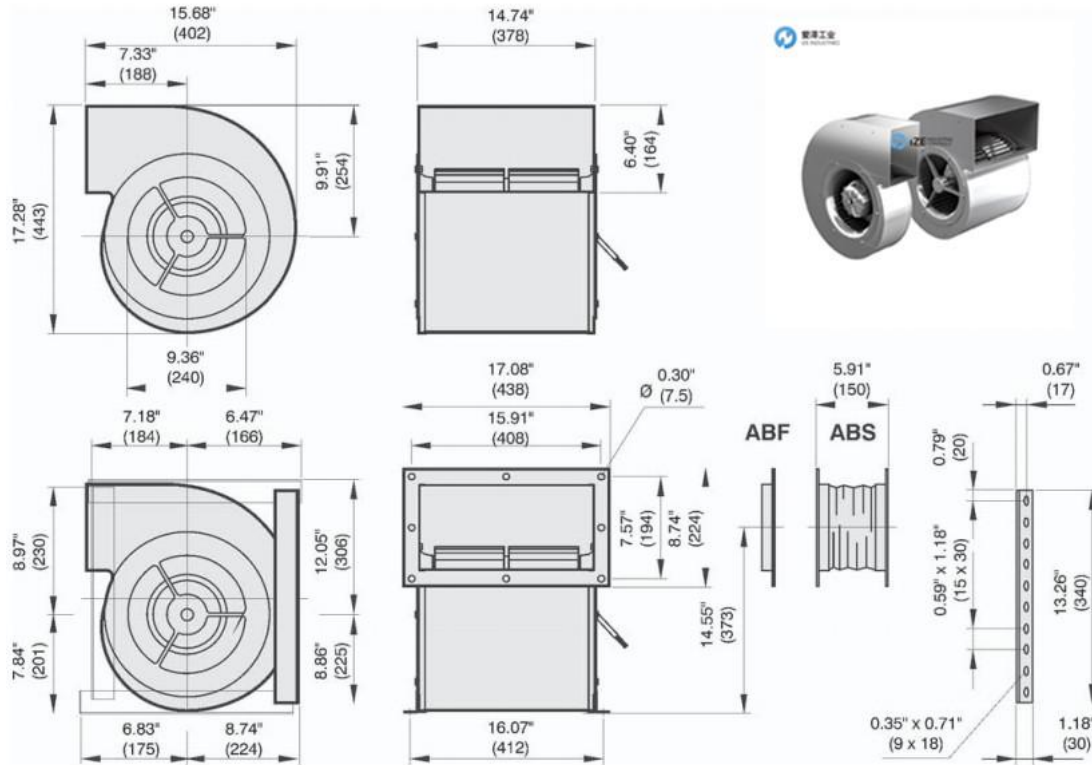


- compact and space saving design
- 100% speed controllable through auto transformers
- Easy air volume control via large range of control products based on pressure and temperature
- Motor protection through thermal contacts as standard



Type	U [Volt]	f [Hz]	Curve	P <sub>i</sub> [kW]	I <sub>n</sub> [A]	n [min <sup>-1</sup> ]	t <sub>n</sub> [°F]	t <sub>n</sub> [°C]	C [μF]	ΔI [%]	I <sub>s</sub> /I <sub>n</sub>	⚠	⊠	⚖ [kg]
DRAD 279-4 IP54	3-460Y	60	A	2.20	3.60	1400	104	40	-	-	2.9	54	01.005	27
DRAD 279-4 IP54	3-230Δ	60	B	2.00	6.20	1300	104	40	-	-	2.9	54	01.006	27
DRAD 279-4 IP54	3-400D	50	C	1.80	3.40	1170	120	50	-	-	2.7	54	01.005	27

ROSENBERG DRAD279-4S 产品尺寸描述



ROSENBERG DRAD279-4S 爱泽工业 ize-industries

爱泽工业 (IZE INDUSTRIES) 特价经销、常用备件型号

- ROSENBERG 风机 DRAD200-4B
- ROSENBERG 风机 DRAD224-4B
- ROSENBERG 风机 DRAD225-4
- ROSENBERG 风机 DRAD250-6
- ROSENBERG 风机 DRAD280-4



ROSENBERG 风机 DRAD280-6  
ROSENBERG 风机 DRAD315-4  
ROSENBERG 风机 DRAD315-6  
ROSENBERG 风机 DRAD355-4IP10  
ROSENBERG 风机 DRAD355-4K  
ROSENBERG 风机 DRAD355-6  
ROSENBERG 风机 DRAD400-6  
ROSENBERG 风机 DRAD400-8

以上为本月部分到货 ROSENBERG 如果您有任何关于产品的相关疑问，请随时与我们联系，爱泽工业(021-3100 6702)。我们将尽全力解决您的问题。

**ROSENBERG DRAD279-4S 产品参数及尺寸描述**